

GLORY®

# Desktop Automatic Coin Counter/Wrapper

## WS-21

The world's only—desktop counter/wrapper. The WS-21 is 60% smaller than Glory's acclaimed floor models yet offers all the power and speed of a full-size machine. Use the WS-21 to count only, or count and wrap up to 12 rolls per minute. This is the perfect solution for attaining high-volume, reliable coin processing in a limited work space.



**Tank Tough  
Wrapper**



- Tabletop, desktop, and top of the line
- High performance, low maintenance
- User-friendly

# The Glory WS-21: A Powerful Desktop Coin Counter/Wrapper with All the Features of a Full-size

## Fast Counting and Wrapping— The Best in Its Class

The WS-21 can wrap up to 12 rolls per minute, the fastest processing speed for this class. As a time-saving and reliable coin counter, the WS-21 offers three preset modes of unlimited, 500 or 1,000, and a convenient user mode of any value from 1 to 99,999. Batch coin wrapping may also be set from 1 to 99,999. All counting, wrapping and denomination settings are made with the easy-to-use soft touch keypad.

The coin hopper holds up to 1,000 loose dimes, and the wrapped coin box holds up to 20 rolled dimes.

## Easy to Use Numeric Keypad for Smooth, Efficient Operation

All counting, wrapping, and denomination settings can be made easily from the user-friendly operation panel.



## Efficient Wrapping Paper Pick-up Selection System

Control functions are activated automatically according to the coin type. The WS-21 cuts coin wrapping paper exactly to the length needed for the selected coin type—a paper-saving feature that eliminates costly waste.

## Easy Recovery from Coin Jams

The WS-21's simple and logical design makes it easy to recover from jammed coins in the unlikely event that should occur.

## Optional Stand

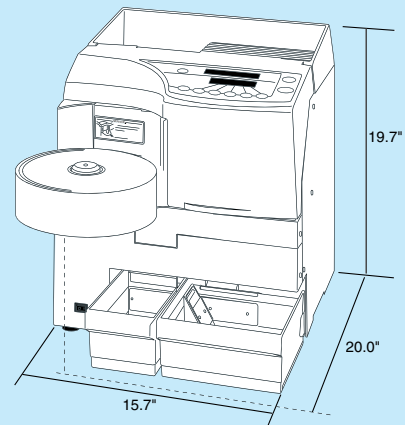
The tank tough dedicated stand will securely hold the unit at a convenient height, allowing coin bags to be attached to the counter for large batches.



## Specifications

|                                   |   |
|-----------------------------------|---|
| Counting speed:                   | 1,600 coins/min. (max.)   |
| Wrapping speed:                   | 12 rolls/min. (max.)  |
| Hopper capacity:                  | 1,000 coins (max.)  |
| Acceptable coins:                 | Max. 32 denominations<br>Diameter: 0.63"-1.26" (16mm-32.2mm)<br>Thickness: 0.039"-0.118" (1.00mm-3.0mm) |
| No. of coins wrapped in one roll: | Preset for each denomination  |
| Power source:                     | AC 100/240V±10% 50/60Hz   |
| Dimensions:                       | 15.7"(W) x 20"(D) x 19.7"(H)  |
| Weight:                           | 121.3lbs (55kg)   |
| Power consumption:                | 210W  |

Specifications are subject to change without notice.



**BANKER'S  
EQUIPMENT  
SERVICE**

11561 12th Avenue South, Burnsville, MN 55337  
toll free 1-888-890-6661  
[www.BankersEquipment.com](http://www.BankersEquipment.com)